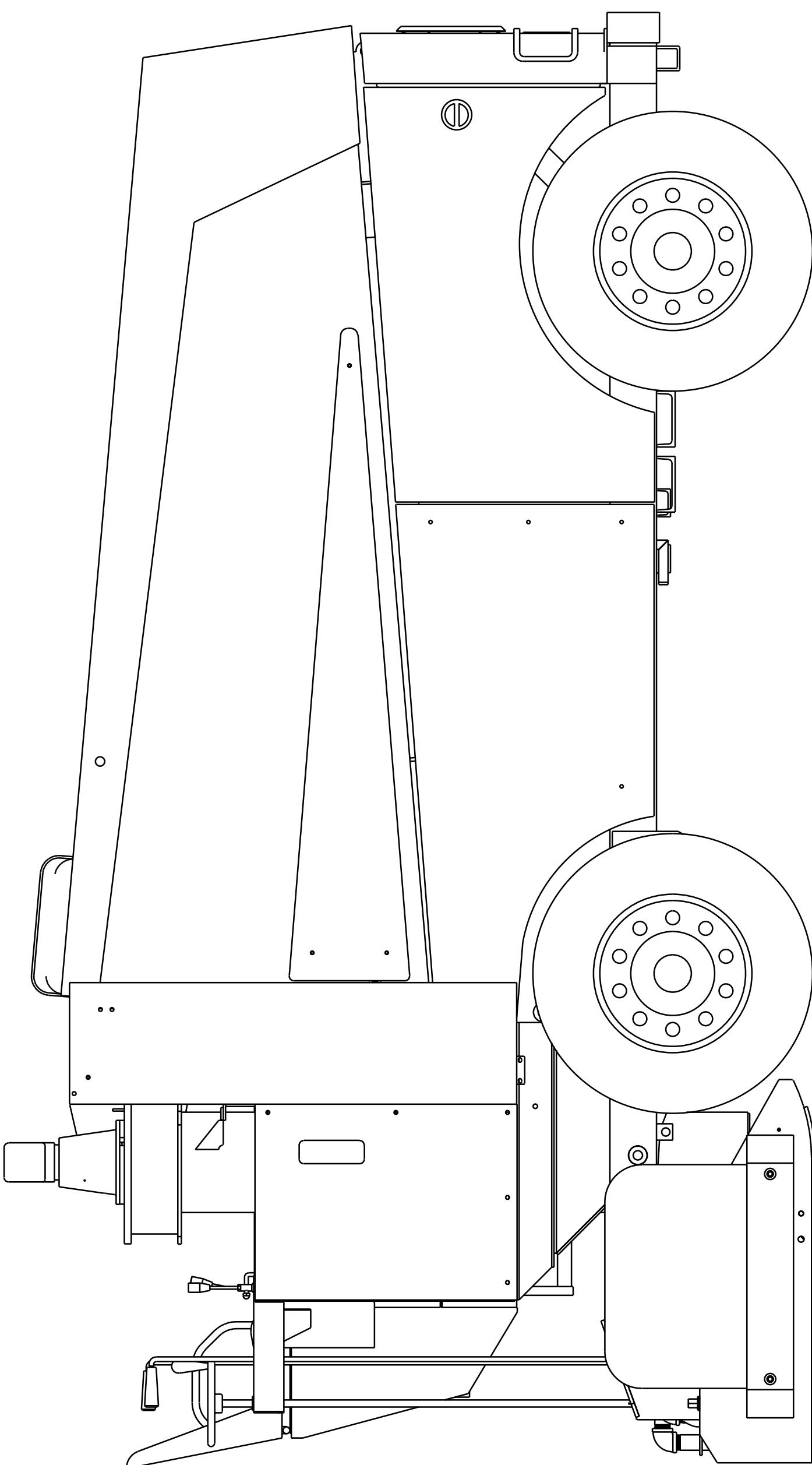


SCALE: 1" = 1'

FRANK J. ZAMBONI & CO. INC.  
 THIS DOCUMENT AND THE INFORMATION THEREON  
 ARE THE PROPERTY OF THE FRANK J. ZAMBONI & CO. INC.  
 AND ARE NOT TO BE USED WITHOUT PERMISSION.

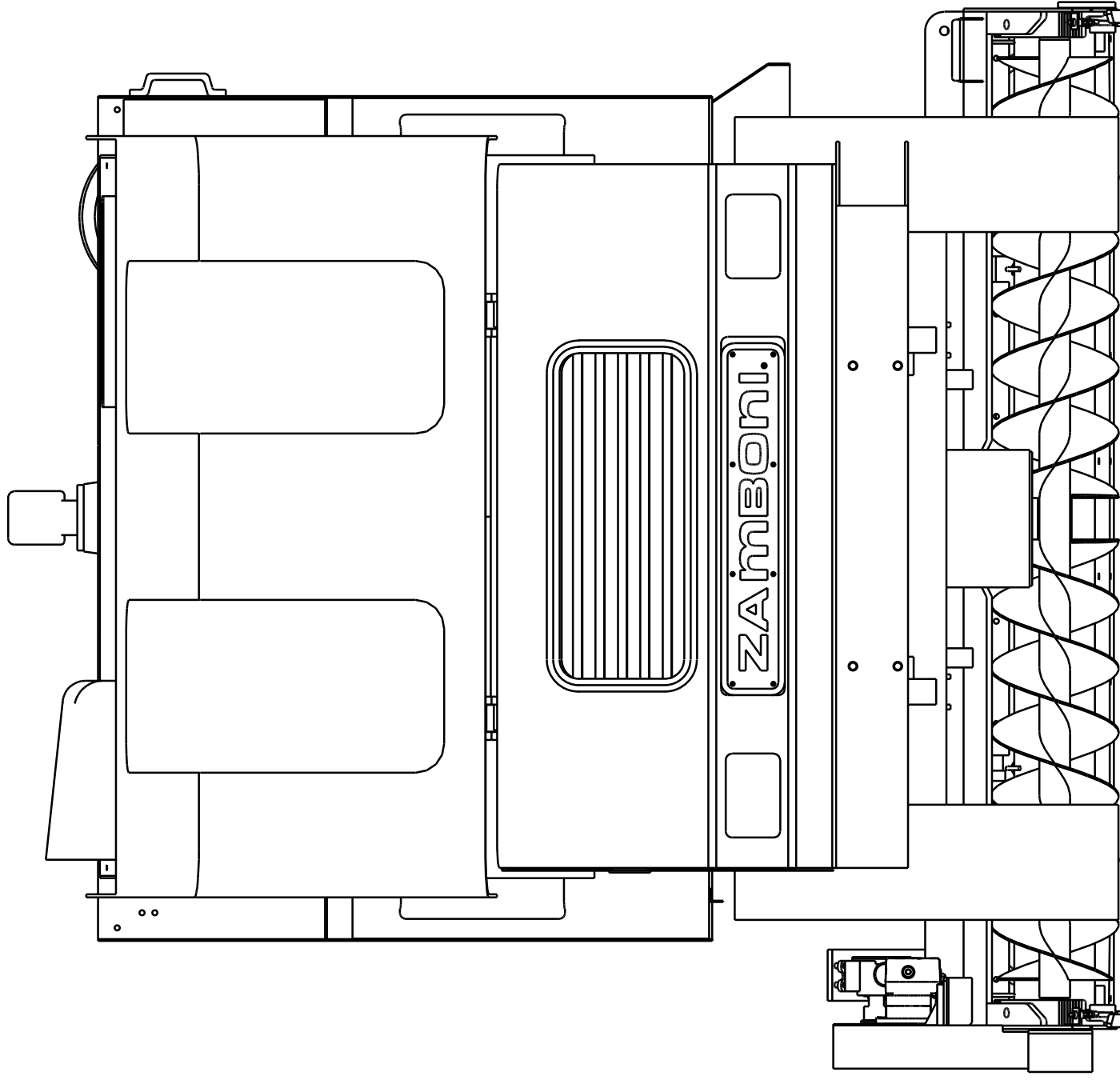
CAD FILE INFORMATION		REVISIONS		DIMENSIONS ARE IN INCHES: TOLERANCES: X ± .125, XII ± .060, XIII ± .030 ANGLES: ± 1°		DESIGN		DESCR.	
PART:		DRAWING:		MATERIAL		DRAWN BY: CA		LEFT SIDE	
ASSEMBLY:		FINISH		CHECKED BY:		DATE		PART NO.	
						12/28/05			



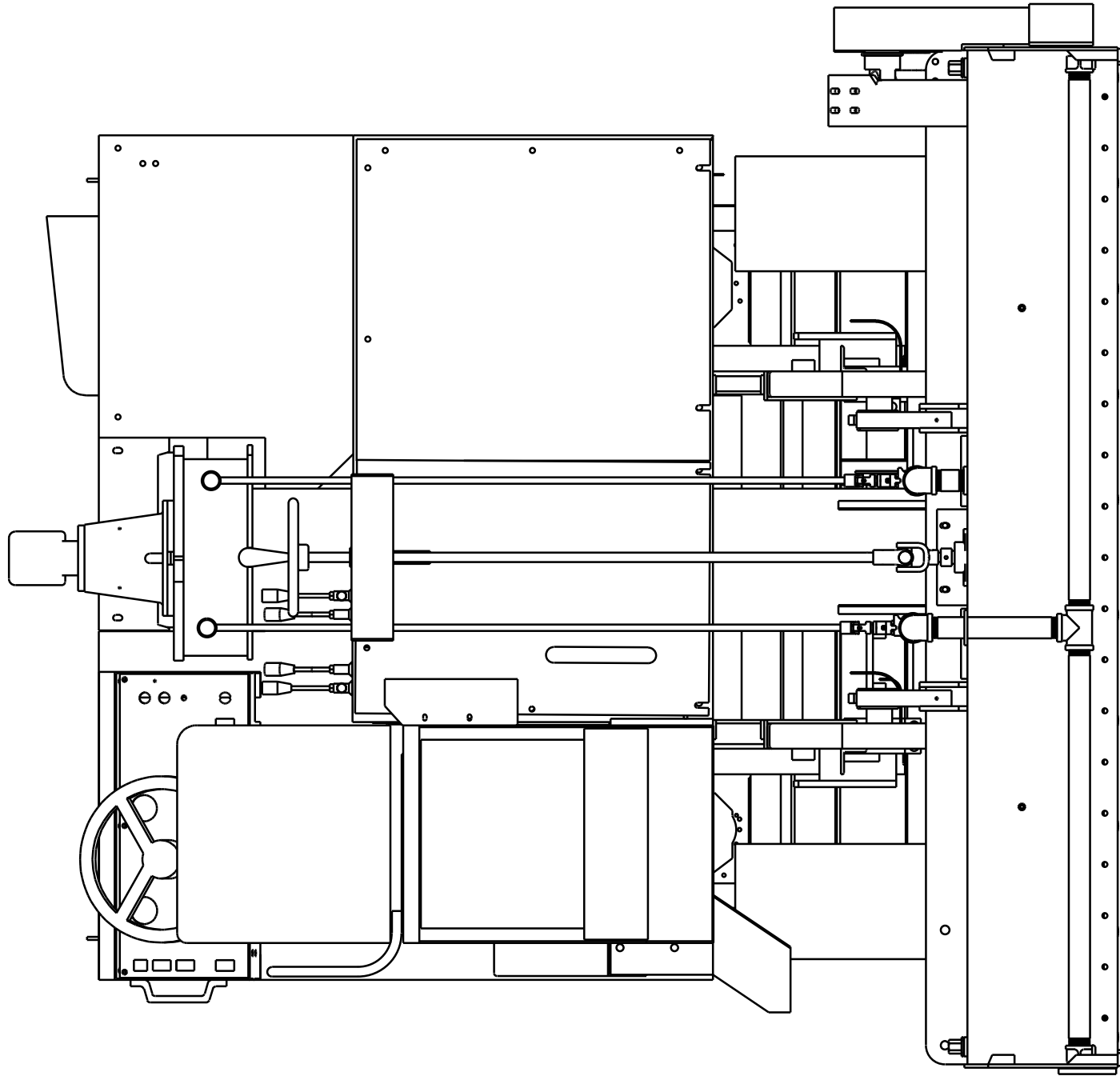
SCALE: 1" = 1'

FRANK J. ZAMBONI & CO. INC.  
 THIS DOCUMENT AND THE INFORMATION THEREON  
 ARE THE PROPERTY OF THE FRANK J. ZAMBONI & CO. INC.  
 AND ARE NOT TO BE USED WITHOUT PERMISSION.

CAD FILE INFORMATION		REVISIONS		DIMENSIONS ARE IN INCHES. TOLERANCES: $\frac{x}{y}$ .125, XIX. .060, XIX± .030 ANGLES: ± 1°		DESIGN		DESCR.	
PART:		ASSEMBLY:		MATERIAL		DRAWN BY: CA		RIGHT SIDE	
DRAWING:				FINISH		CHECKED BY:		DATE	
						APPROVED BY:		12/28/05	
								PART NO.	

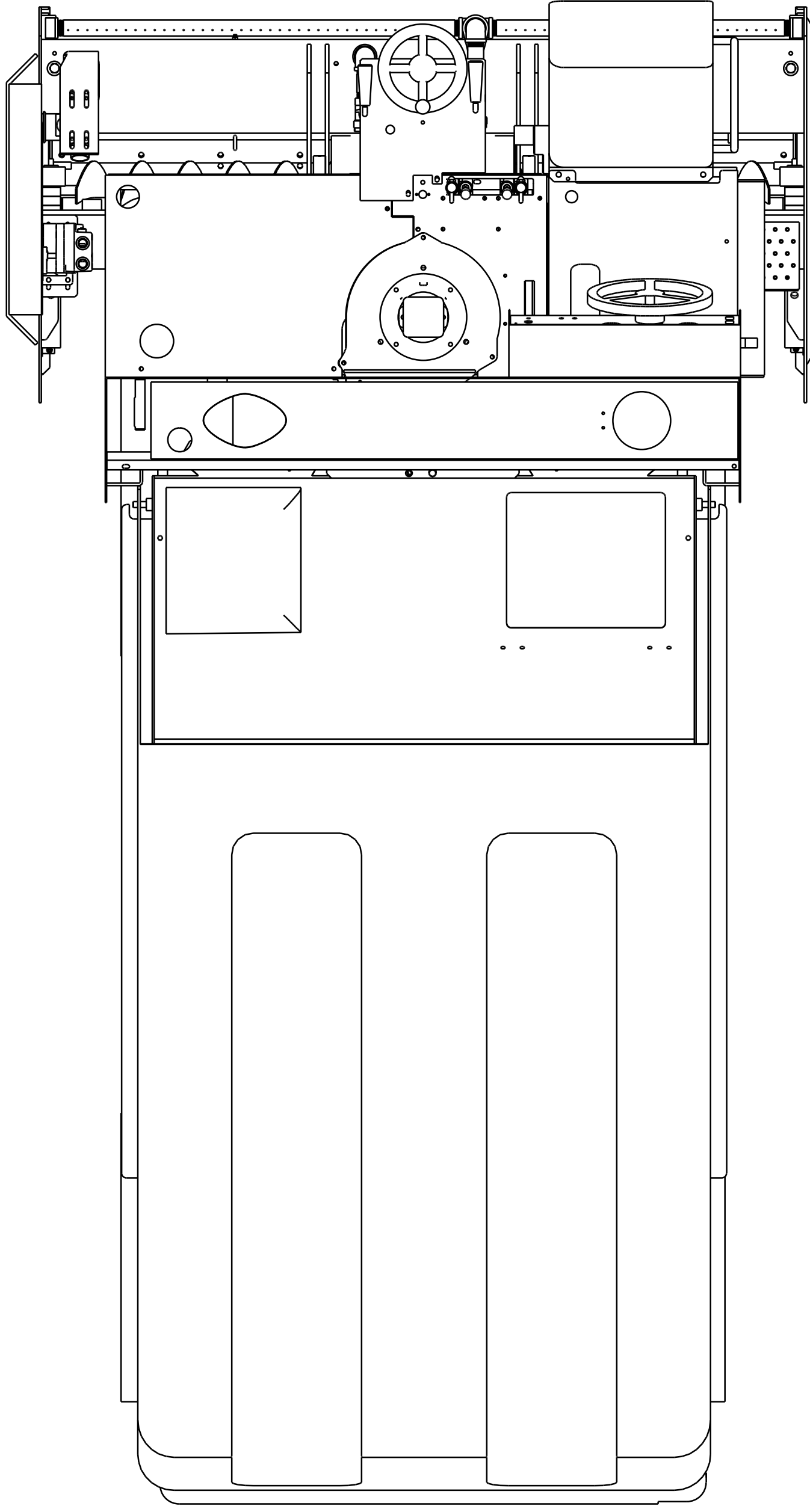


SCALE: 1" = 1'



FRANK J. ZAMBONI & CO. INC.  
 THIS DOCUMENT AND THE INFORMATION THEREON  
 ARE THE PROPERTY OF THE FRANK J. ZAMBONI & CO. INC.  
 AND ARE NOT TO BE USED WITHOUT PERMISSION.

CAD FILE INFORMATION		REVISIONS		DIMENSIONS ARE IN INCHES. TOLERANCES: X± .125, XII± .060, XIII± .030 ANGLES: ± 1°		DESIGN		DESCR.	
PART:				MATERIAL		DRAWN BY: CA		DATE 12/28/05	
DRAWING:				FINISH		CHECKED BY:		FRONT/REAR VIEW	
ASSEMBLY:						APPROVED BY:		PART NO.	
DIRECTORY:									



SCALE: 1" = 1'

FRANK J. ZAMBONI & CO. INC.  
 THIS DOCUMENT AND THE INFORMATION THEREON  
 ARE THE PROPERTY OF FRANK J. ZAMBONI & CO. INC.  
 AND ARE NOT TO BE USED WITHOUT PERMISSION.

CAD FILE INFORMATION		PART:	
DRAWING:		ASSEMBLY:	
DIRECTORY:		MATERIAL:	
FINISH:		REVISIONS:	
DIMENSIONS ARE IN INCHES. TOLERANCES: XX ± .125, XIX ± .060, XIII ± .030 ANGLES: X ± 1°		DESIGN	DATE
DRAWN BY: CA		12/28/05	DESCR. TOP VIEW
CHECKED BY:		PART NO.:	
APPROVED BY:			